

Tachometers and Tach/Hourmeters – AT and ATH Series

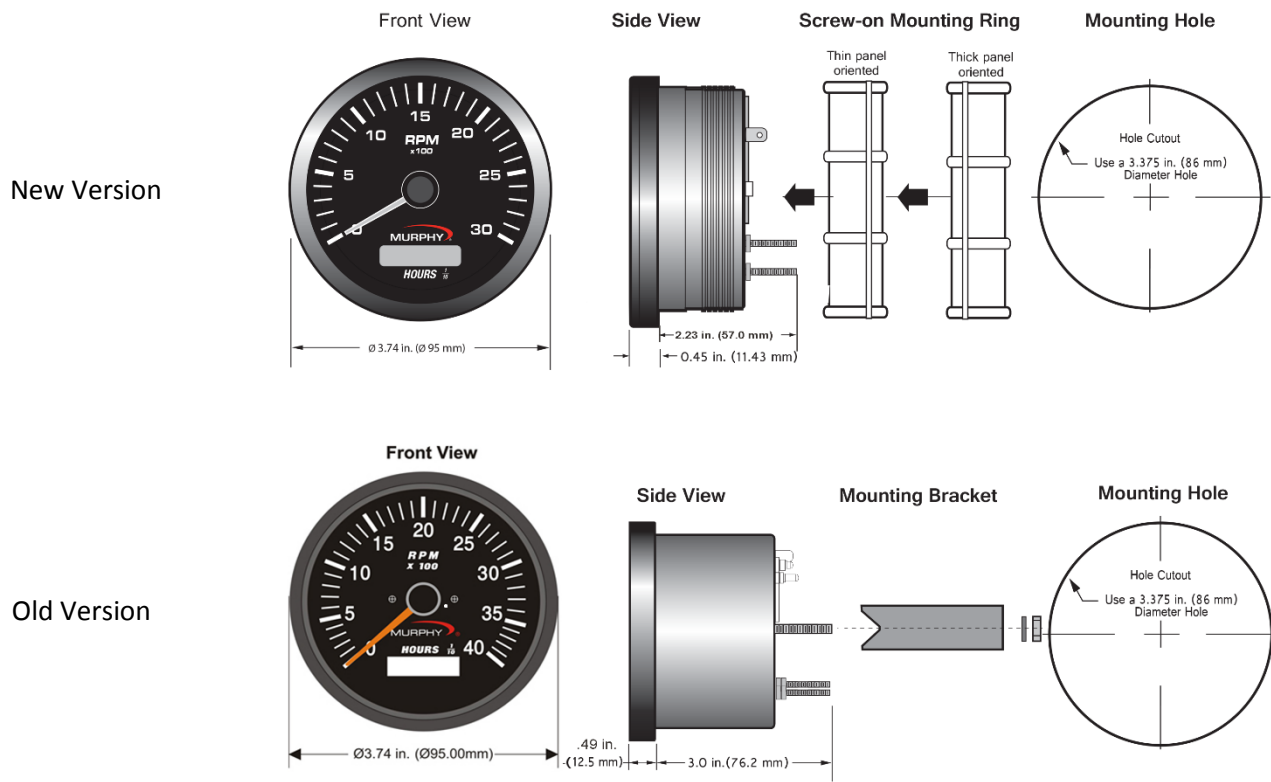
★ Made in the USA ★
RoHS Compliant



To Customers and Users utilizing Murphy AT Series Tachometers:

Enovation Controls is pleased to announce the transition to our new and improved AT Series tachometer. This tachometer series is a drop-in replacement to our previous tachometers. However, these new features differ from the previous version:

- Improved quality
- 4000RPM dials transitioning to 3000RPM dials
- Easy ring clamp for installation
- New, easy, one button calibration
- 12 & 24 VDC versions are included in one model number with LED backlight, no bulbs to change
- All signal input versions are now included in one model number

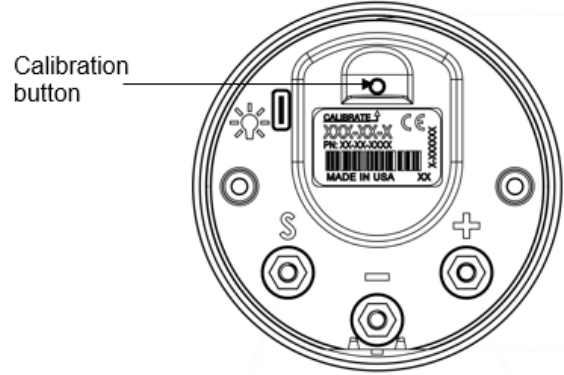
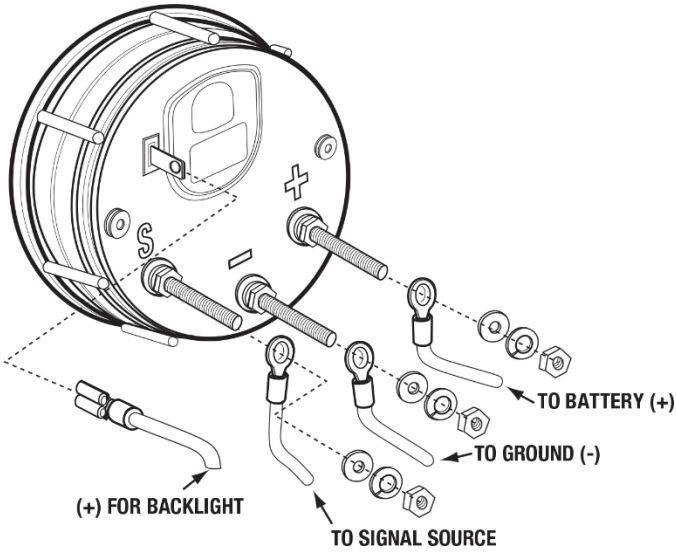


Old / Discontinued Model		New Model Replacement	
Part Number	Model	Part Number	Model
20700134	ATA-40	20700245	AT-30
20700135	ATA-40-A	20700246	AT-30-A
20700136	ATA-40-B	20700247	AT-30-B
20700137	ATHA-40	20700249	ATH-30
20700141	ATHA-40-A	20700250	ATH-30-A
		20700254	ATH-40-A
20700139	ATHA-40-B	20700251	ATH-30-B
20700140	ATHA-40-C	20700252	ATH-30-C
20700142	ATHS-40	20700249	ATH-30
20700143	ATHS-40-A	20700250	ATH-30-A
20700225	ATHS-40-B	20700251	ATH-30-B
20700226	ATHS-40-C	20700252	ATH-30-C
20700228	ATS-40-A	20700246	AT-30-A
20700229	ATS-40-B	20700247	AT-30-B
20700230	ATS-40-C	20700248	AT-30-C
20700231	ATHI-40-A	20700254	ATH-40-A

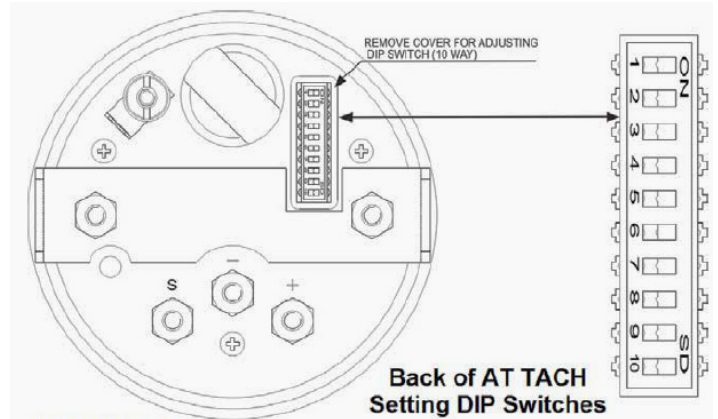
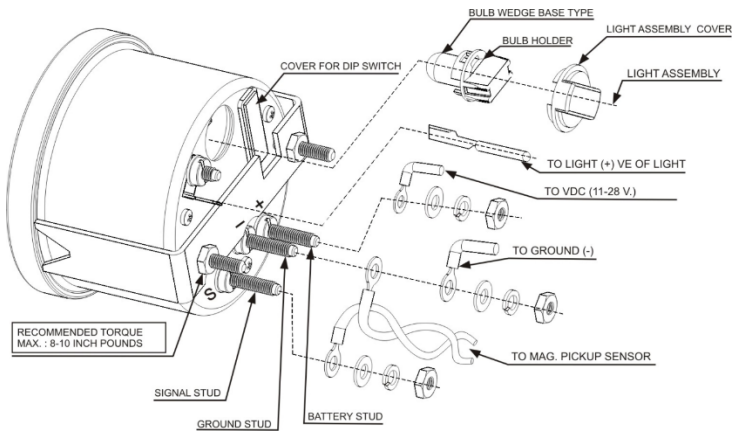
Installation Diagrams

Calibration Methods

New Version



Old Version



In order to consistently bring you the highest quality, full-featured products, we reserve the right to change our specifications and designs at any time. MURPHY products and the Murphy logo are registered and/or common law trademarks of Enovation Controls, LLC. This document, including textual matter and illustrations, is copyright protected by Enovation Controls, LLC, with all rights reserved. (c) 2016 Enovation Controls, LLC. A copy of the warranty may be viewed or printed by going to www.fwmurphy.com/warranty.

ENOVATION CONTROLS CORPORATE HEADQUARTERS

5311 S 122ND EAST AVENUE
TULSA, OK 74146

ENOVATION CONTROLS – SAN ANTONIO OFFICE

5757 FARINON DRIVE
SAN ANTONIO, TX 78249

ENOVATION CONTROLS – HOUSTON OFFICE

105 RANDON DYER RD
ROSENBERG, TX 77471

ENOVATION CONTROLS LTD. – UNITED KINGDOM

CHURCH ROAD LAVERSTOCK
SALISBURY SP1 1QZ UK

MURPHY ECONTROL TECHNOLOGIES (HANGZHOU) CO, LTD.

77 23RD STREET
HANGZHOU ECONOMIC & TECHNOLOGICAL DEVELOPMENT AREA
HANGZHOU, ZHEJIANG 310018 CHINA

U.S. SALES & SUPPORT

ECONTROLS PRODUCTS

PHONE: 210 495 9772
FAX: 210 495 9791
EMAIL: INFO@ENOVATIONCONTROLS.COM
WWW.ECONTROLS.COM

MURPHY PRODUCTS

PHONE: 918 317 4100
FAX: 918 317 4266
EMAIL: SALES@ENOVATIONCONTROLS.COM
WWW.FWMURPHY.COM

MURPHY CONTROL SYSTEMS & SERVICES

PHONE: 281 633 4500
FAX: 281 633 4588
EMAIL: CSS-SOLUTIONS@ENOVATIONCONTROLS.COM

MURPHY INDUSTRIAL PANEL DIVISION

PHONE: 918 317 4100
FAX: 918 317 4124
EMAIL: IPDSALES@ENOVATIONCONTROLS.COM

INTERNATIONAL SALES & SUPPORT

UNITED KINGDOM

PHONE: +44 1722 410055
FAX: +44 1722 410088
EMAIL: SALES@ENOVATIONCONTROLS.EU
WWW.FWMURPHY.EU

CHINA

PHONE: +86 21 6237 5885
FAX: +86 21 6237 5887
EMAIL: APSALES@ENOVATIONCONTROLS.COM

LATIN AMERICA & CARIBBEAN

PHONE: 918 317 2500
EMAIL: LASALES@ENOVATIONCONTROLS.COM

SOUTH KOREA

PHONE: +82 70 7951 4100
EMAIL: SKOREASALES@ENOVATIONCONTROLS.COM

INDIA

PHONE: +91 91581 37633
EMAIL: INDIASALES@ENOVATIONCONTROLS.COM



FM 28221 (Tulsa, OK - USA)
FM 620667 (San Antonio, TX - USA)
FM 28221 (Rosenberg, TX - USA)
FM 29422 (UK)



FM 523851 (China) TS 589322 (China)